

LF-DN

Large Format
Digital Platform
for VHX-7000N Controllers



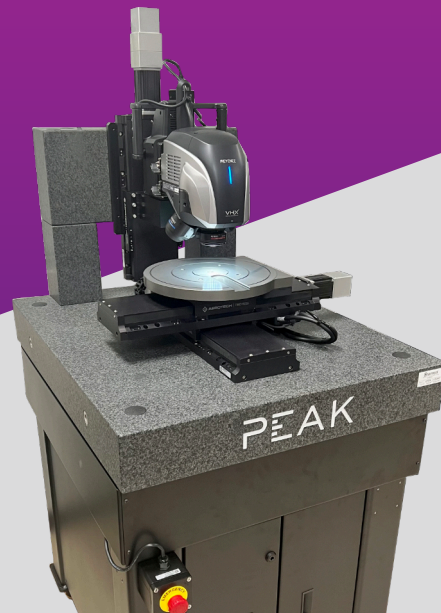
Get More From
Your Microscope

Contents

Introduction	1
How it Works	2
Specifications	3
Dimensions	4
LF-DN-300-MT	4
LF-DN-300-GR	5
LF-DN-600-GR	6
Maximum Part Sizes	7
LF-DN-300	7
LF-DN-600	8
Ordering Options	9
Ordering Info	9
Example Part String	10
Examples of Ordering Options	11
Customization Options	12
What to Order from Keyence	13
Accessory Fixture Plates	14

LF-DN

Large Format Digital Platform



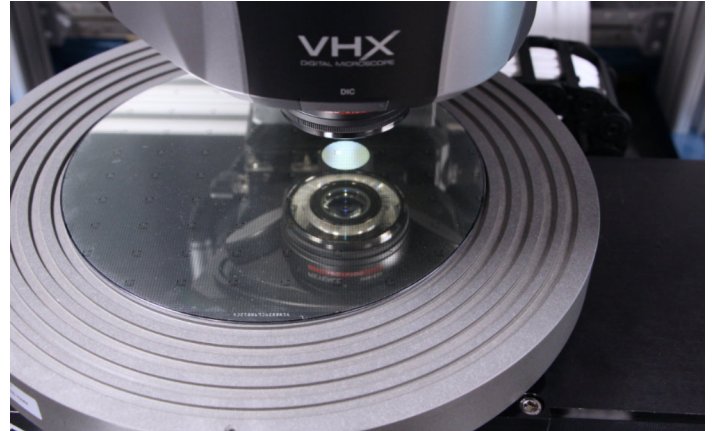
300 x 300 mm Inspection Area System



600 x 600 mm Inspection Area System

High Resolution. Large Travel.

Larger stages increase the working area and sample payload capacity. Work 100% from within the standard Keyence VHX software while utilizing a much larger inspection envelope.



Wafer imaging with the VHX-7100 microscope

Many Standard Options to Choose From

A variety of accessories are available to meet the needs of customers in environments spanning from R&D to production. Configure a system that works best for your application.

PEAKTM
METROLOGY

An AEROTECH Company

How it Works

Plug and Play

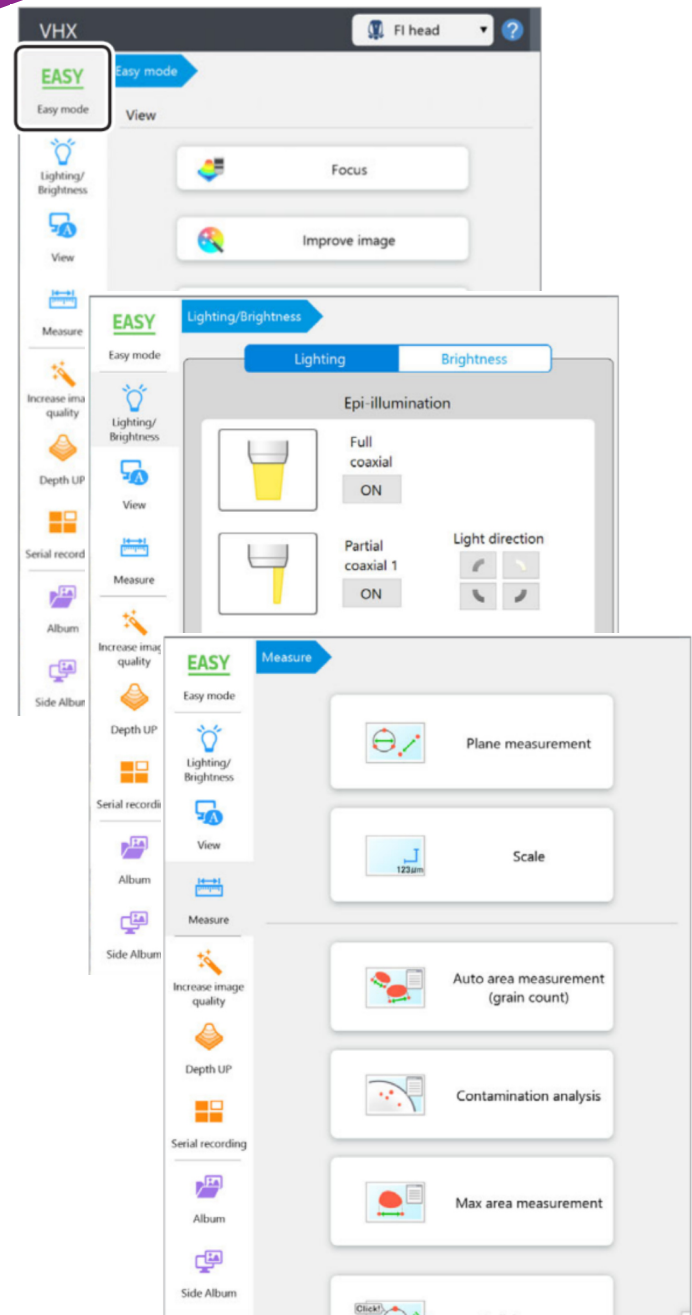
The VHX-7000N microscope controller paired with Keyence VK-S1000K stepper motor controller allows for seamless integration of Peak XY stages directly in the standard VHX software interface.

Enjoy nearly all functionality available with standard Keyence stages but over an extended travel range up to 800x800 mm.

- 2D/3D Concatenation
- Navigation
- Registration of stage position
- Split photography
- Contamination analysis
- XY stage measurement
- and many more...

The following functions are NOT available with the LF-DN Platform:

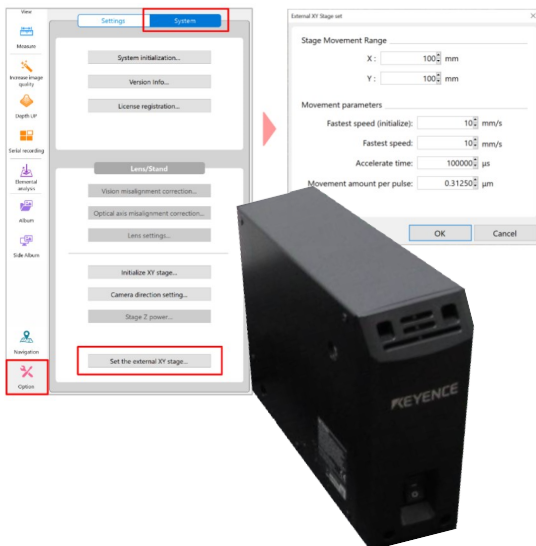
- One-push calibration
- Eucentric adjustment for tilt axis
- FI Head collision prevention
- Focus View camera



VHX Software Interface

Looking for more?

Need additional automation features? Check out our LF-D product which uses ScanX software to unlock advanced features such as: unlimited stitching, programmable autofocus, customized image naming, and more!



VK-S1000K Stepper Motor Controller and Integrated Stage Settings Menu

Specs

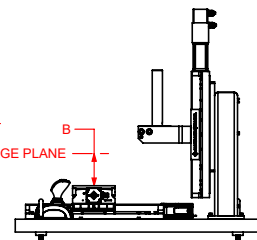
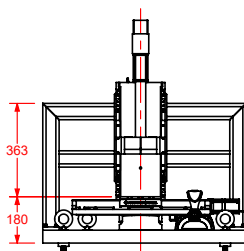
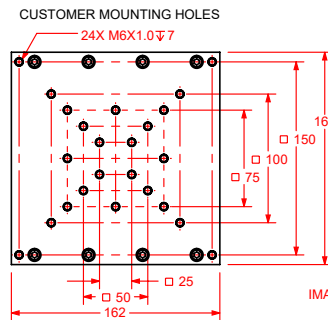
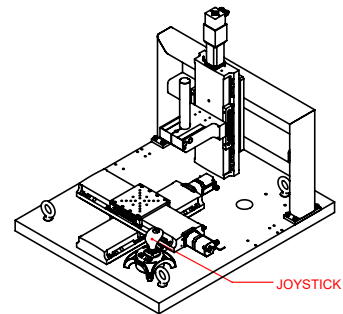
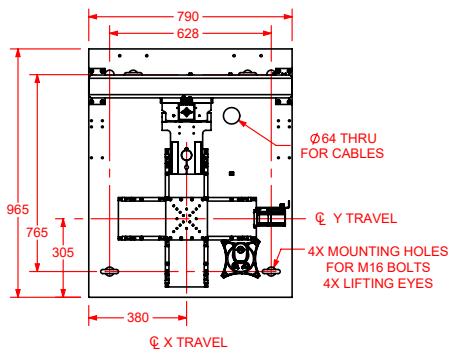
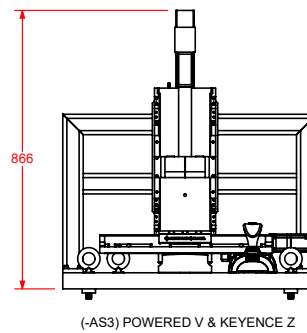
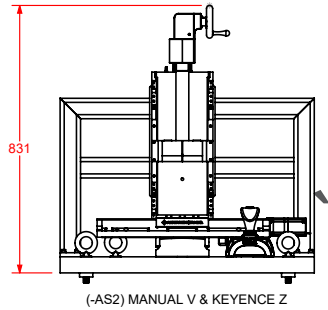
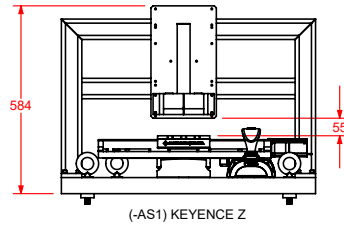
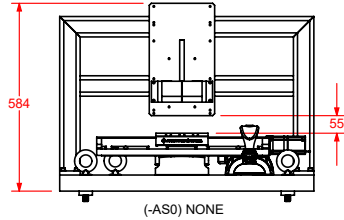
LF-DN Specifications

Travel	300 x 300 mm	600 x 600 mm
XY Performance		
Accuracy	± 10 µm	± 16 µm
Repeatability	± 1 µm	
Max Jog Speed	25 mm/sec	
Large V-Axis (Optional) Performance		
Travel	200 mm	
Accuracy	± 8 µm	
Repeatability	± 1 µm	
Minimum Incremental Motion	1.0 µm	
Max Jog Speed	25 mm/sec	
Mechanical Specifications		
Payload Capacity	35 kg	45 kg
MTBF (Mean Time Before Failure)	20,000 Hours	

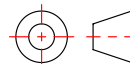
Dimensions

AXIS	NOMINAL TRAVEL
X	300
Y	300
KEYENCE Z	49
V	200

ADDITIONAL STAGES	IMAGE PLANE ADJUSTABILITY	B
(-AS0) NONE	±29.5 (USING POST)	25
(-AS1) KEYENCE Z	±24.5	25
(-AS2) MANUAL V & KEYENCE Z	±124.5	125
(-AS3) POWERED V & KEYENCE Z	±124.5	125



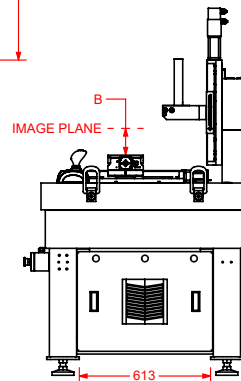
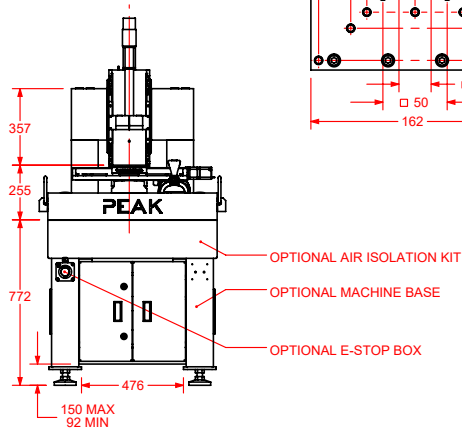
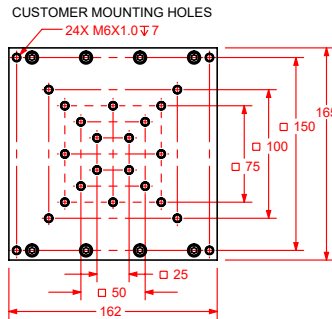
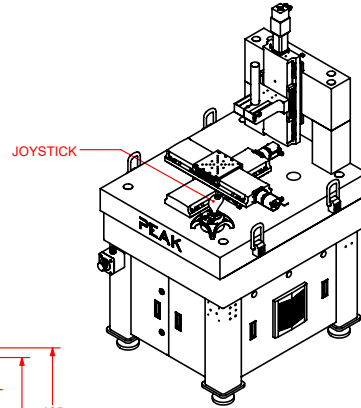
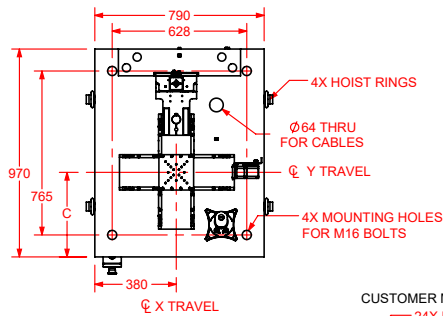
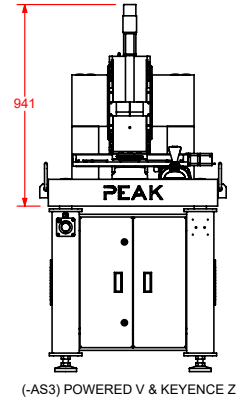
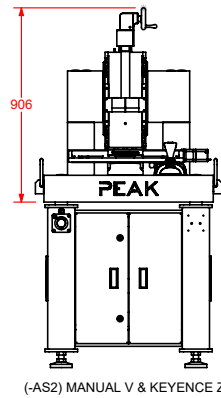
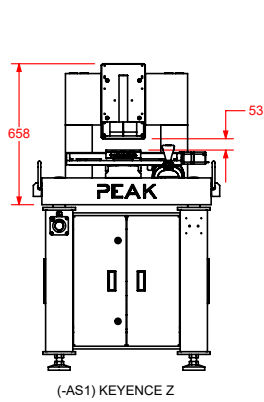
DIMENSIONS: MILLIMETERS



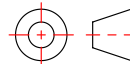
Dimensions

AXIS	NOMINAL TRAVEL
X	300
Y	300
KEYENCE Z	49
V	200

ADDITIONAL STAGES	IMAGE PLANE ADJUSTABILITY	B	C
(-AS1) KEYENCE Z	±24.5	25	468
(-AS2) MANUAL V & KEYENCE Z	±124.5	125	395
(-AS3) POWERED V & KEYENCE Z	±124.5	125	395



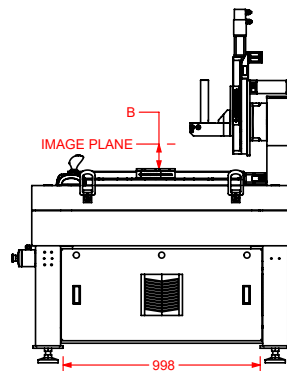
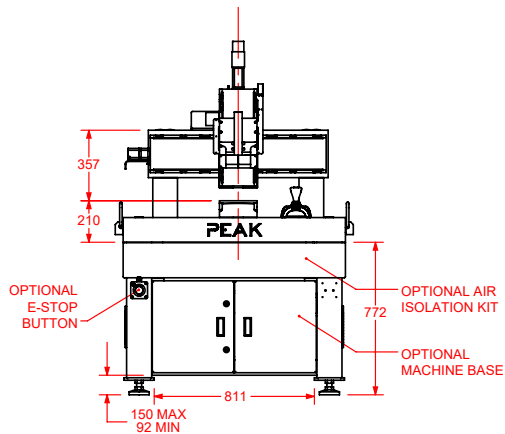
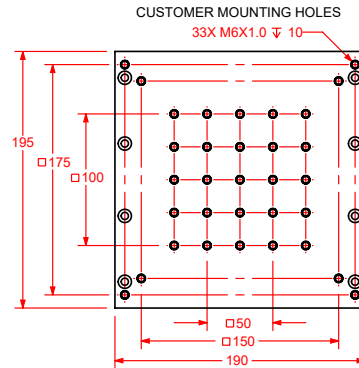
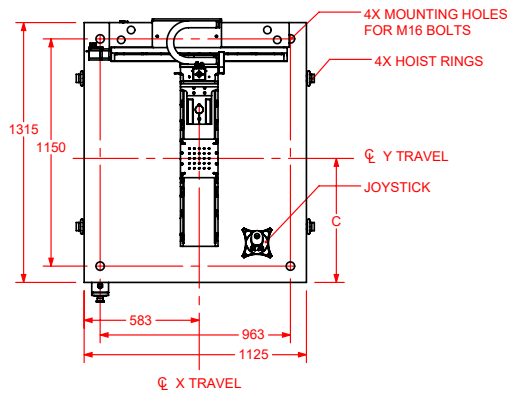
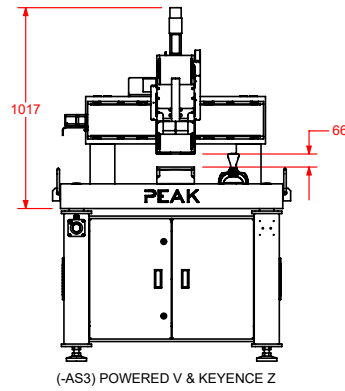
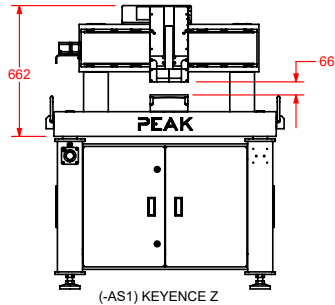
DIMENSIONS: MILLIMETERS



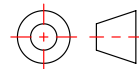
Dimensions

AXIS	NOMINAL TRAVEL
X	600
Y	600
KEYENCE Z	49
V	200

ADDITIONAL STAGES	IMAGE PLANE ADJUSTABILITY	B	C
(-AS1) KEYENCE Z	±24.5	25	713
(-AS3) POWERED V & KEYENCE Z	±124.5	125	628

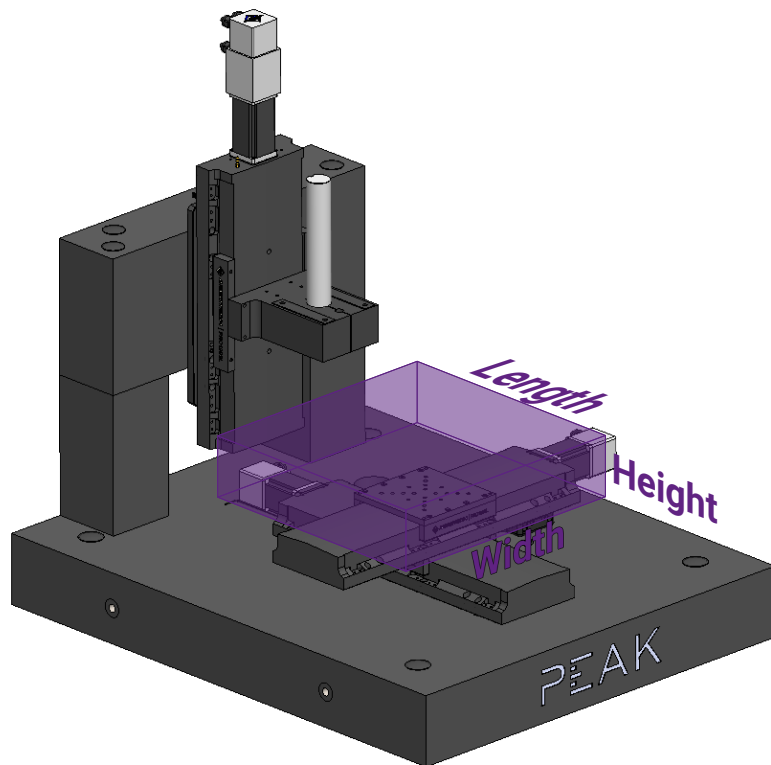
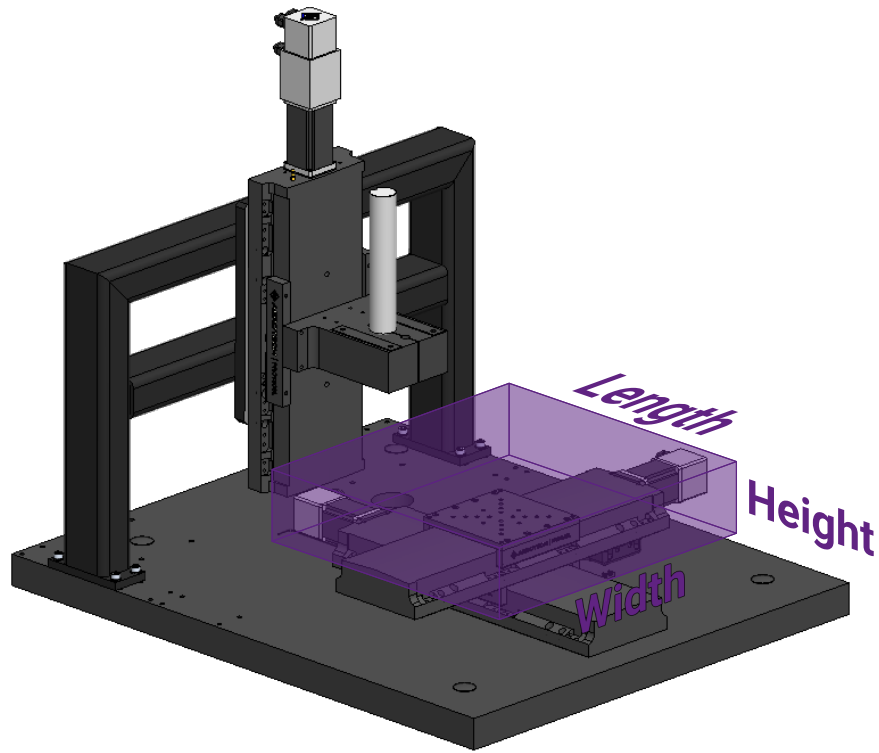


DIMENSIONS: MILLIMETERS



Part Sizes

LF-DN-300-MT			
Option	Height (mm)	Max Width (mm)	Max Length (mm)
-AS0	0 to 52	307	310 ¹ (500)
-AS1	0 to 49	434	310 ¹ (467)
-AS2	0 to 250	434	310 ¹ (425)
-AS3	0 to 250	434	310 ¹ (425)
-AS6	0 to 250	434	310 ¹ (425)
-AS7	0 to 250	434	310 ¹ (425)

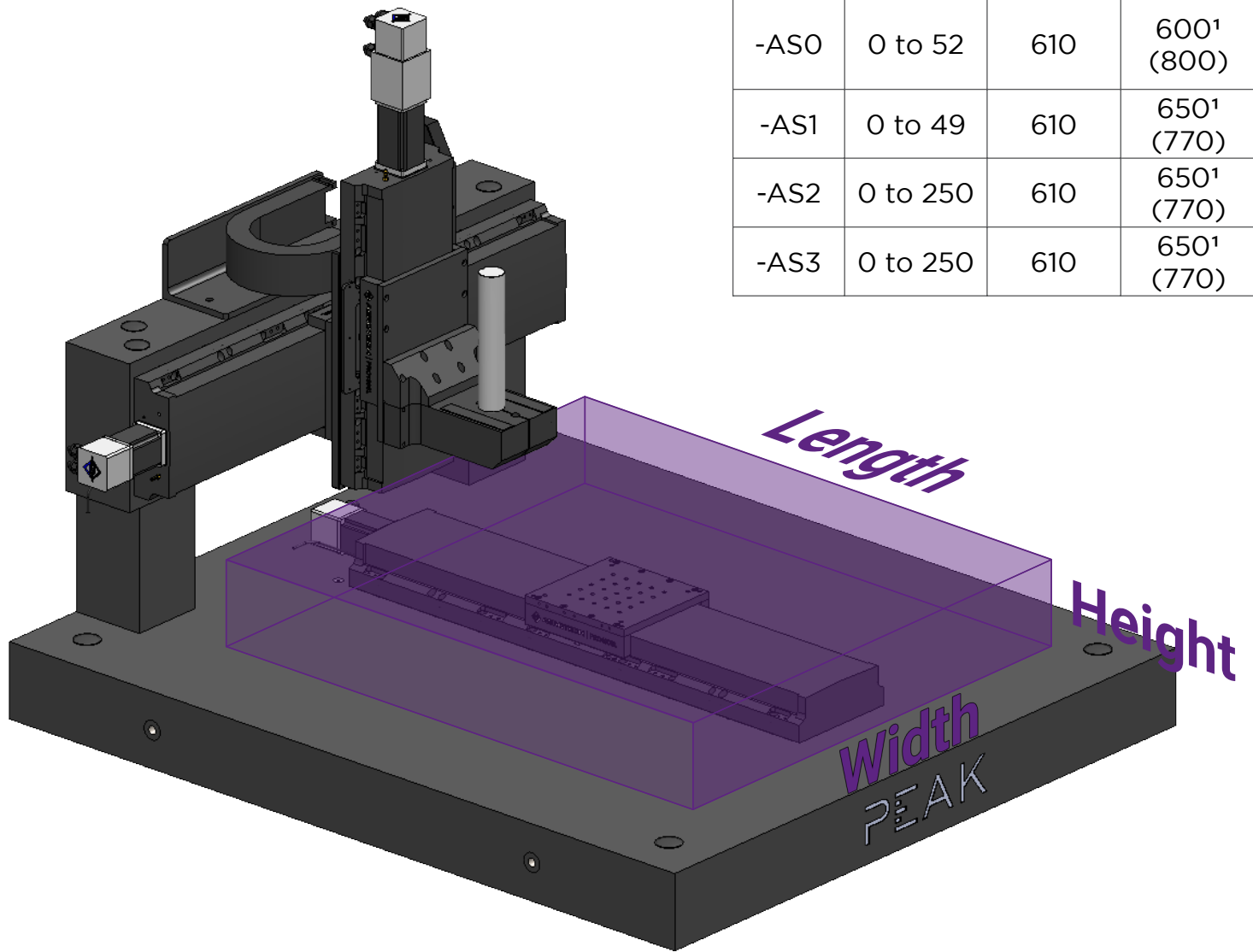


LF-DN-300-GR			
Option	Height (mm)	Max Width (mm)	Max Length (mm)
-AS1	0 to 49	434	429
-AS2	0 to 250	434	429
-AS3	0 to 250	434	429
-AS6	0 to 250	434	429
-AS7	0 to 250	434	429

* All dimensions assume part is centered on travel. Consult Peak about non-symmetric parts.

¹ Parts exceeding this size will extend beyond front edge of base when Y-axis reaches extent of travel. See parentheses for max size with overhang.

Part Sizes



LF-DN-600			
Option	Height (mm)	Max Width (mm)	Max Length (mm)
-AS0	0 to 52	610	600 ¹ (800)
-AS1	0 to 49	610	650 ¹ (770)
-AS2	0 to 250	610	650 ¹ (770)
-AS3	0 to 250	610	650 ¹ (770)

* All dimensions assume part is centered on travel.
Consult Peak about non-symmetric parts.

¹ Parts exceeding this size will extend beyond front/rear edge of base when Y-axis reaches extent of travel.
See parentheses for max size with overhang.

Ordering

Step 1 - Select your travel

-300 (300 x 300 mm)	Stacked XY axes, with 300 mm of square travel
-600 (600 x 600 mm)	Lower axis mounted to base, upper axis mounted to the bridge

Step 2 - Select your base material

-MT (Aluminum/Steel) ³	Lightweight, aluminum base with welded steel bridge
-GR (Granite)	Granite used for vibration isolation concerns

Step 3 - Choose your options

VHX Camera² (Required)

-V1 (VHX-7100)	Keyence VHX-7100 Fully Integrated Camera Head
-V2 (VHX-7020)	Camera unit with manual lens changes for the VHX-7000 series

Additional Stages (Required)

-AS0 (None)	No additional stages provided
-AS1 (Small Z)	49 mm of motorized vertical travel range with Keyence VHX-S700F ²
-AS2 (Large Manual V)	200 mm vertical travel via handwheel; 49 mm of fine adjustment with Keyence VHX-S700F ²
-AS3 (Large Motorized V)	200 mm of motorized vertical travel; 49 mm of fine adjustment with Keyence VHX-S700F ²
-AS6 (Manual Tilt) ³	49 mm of fine adjustment with Keyence VHX-S700F ² ; +/- 90 deg manual tilt adjustment
-AS7 (Large V and Manual Tilt) ³	Everything included in -AS3, plus +/- 90 deg manual tilt adjustment

Machine Base (Optional)

-MB (Machine Base)	Steel weldment with leveling feet, doors, and mounting features for electronics
--------------------	---

Isolation (Required)

-IS01 (Elastomer)	Vibration reduction via elastomer pads designed to provide high damping
-IS02 (Passive Air) ¹	Increased isolation of environmental vibrations with self-leveling air isolators

Emergency Stop (Optional)

-ESTOP (Emergency Stop)	Mushroom button to cut power to stage motors
-------------------------	--

Line Cord (Required)

-LC0 (None)	No line cord
-LC1 (US115VAC)	US (115VAC) compatible line cord
-LC2 (US230VAC)	US (230VAC) compatible line cord
-LC3 (German)	Germany compatible line cord
-LC4 (UK)	UK compatible line cord

Vacuum Line (Optional)

-VAC (Vacuum Line) ⁴	Vacuum line cable routing
---------------------------------	---------------------------

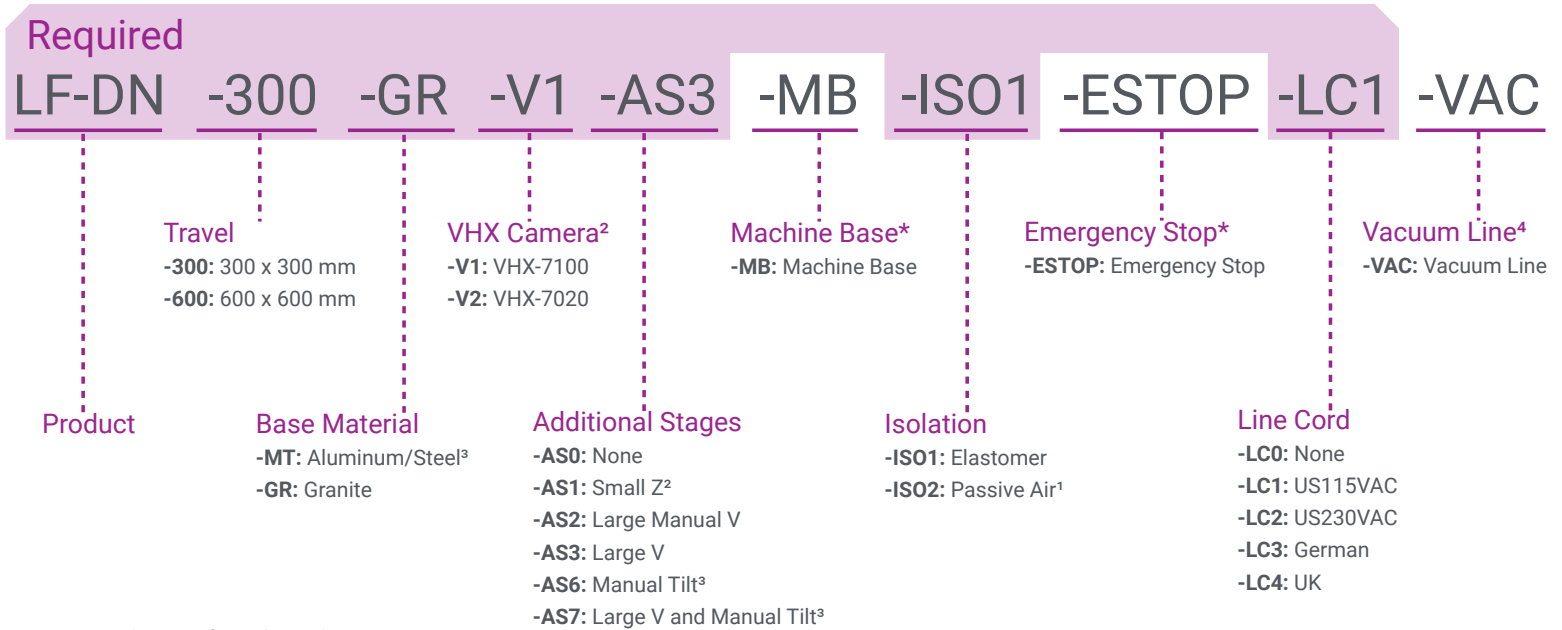
¹ Requires "Machine Base" option

² Provided by Keyence

³ Only available with -300 Travel Option

⁴ For use with accessory vacuum chucks

Ordering



* Optional - omit if not desired

¹ Requires "Machine Base" option

² Provided by Keyence

³ Only available with -300 Travel Option

⁴ For use with accessory vacuum chucks

Ordering



Showing -ISO2 (Passive Air) Option

Control for your environment

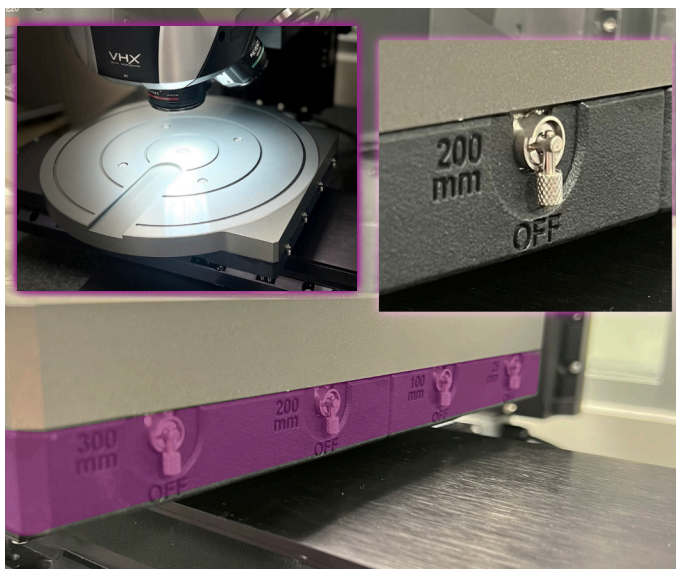
We'll work with you to characterize your floor vibrations and identify any necessary isolation measures to preserve measurement performance. Our standard air and active isolation systems are available to make sure your measurements are rock solid. Please see [this video](#) for more details.

Finishing touches

Choose from available ordering options to get exactly what you need.

The optional machine base provides storage for all PCs and control electronics - all within the envelope of the machine.

Get only the stages you need by selecting from our combinations of different travel sizes and vertical stage offerings.



Showing Zone-Selectable Vacuum Chuck
PM-FP-VZR



Optional Machine Base (-MB) with PC and controls

Accessories

Choose from our standardly available accessories such as: fixture plates, wafer chucks, and more!

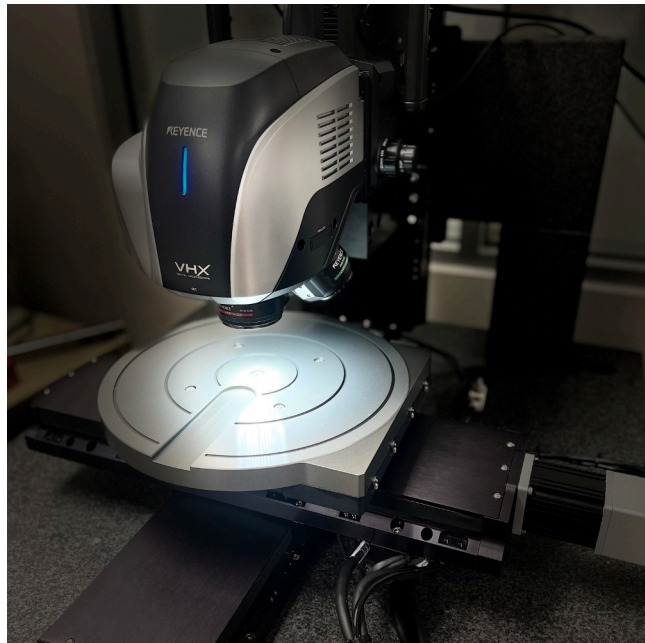
Customize

Squeaky clean

We offer various levels of clean room preparation. From material selection and design to component cleaning and assembling/bagging in our own clean room - no matter your room's requirements, we have a solution for you.



Cleanroom Facility



300 mm, zone-selectable wafer chuck

Above and beyond

Parts still too big to move? We've still got you covered! If our standard stage layout does not work for you, we will design your system as a purpose-built machine tailor-made for your parts!

We're here to make your measurements easy. Leverage our decades of experience building custom motion platforms to make sure you get exactly what you need.

Have it your way

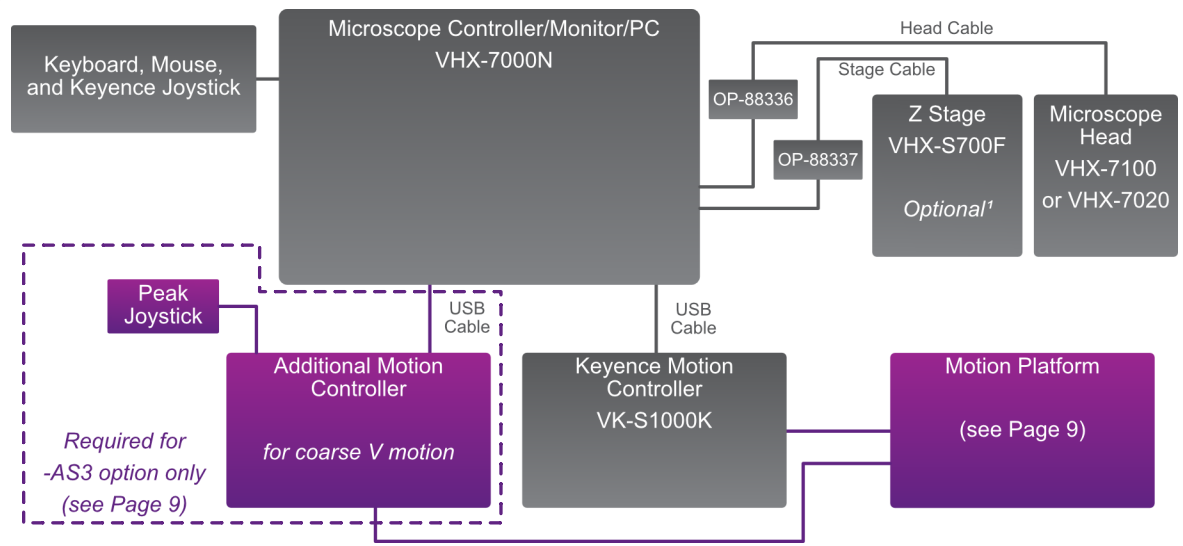
Don't see exactly what you need? Don't compromise, customize. At Peak, nearly half of our machines are customized per our customers' requirements - so don't hesitate to [contact us](#) to find out how we can deliver exactly what you need.

Are your parts difficult to hold? We'll work with you to design custom part fixturing to make sure your inspections are reliable and repeatable.



Overhead gantry system

Keyence Kit



Complete the system

Peak provides all the motion equipment you need to be up and running in no time. The Keyence equipment listed below is required to complete the system. Have questions? Don't hesitate to [contact us](#) for answers on what is required.

Microscope Head

VHX-7100 or VHX-7020

Microscope Controller

VHX-7000N

Motion Controller

VK-S1000K

Z Stage

VHX-S700F¹ (as needed)

Software

VHX Software (comes standard)

VHX-H3M3 XY Measurement Module

VHX-H5M 3D Profile Measurement Module (as needed)

Other

OP-88338 Lens Joint²

OP-88336 & OP-88337 Cable Repeaters

Head and Stage Cables

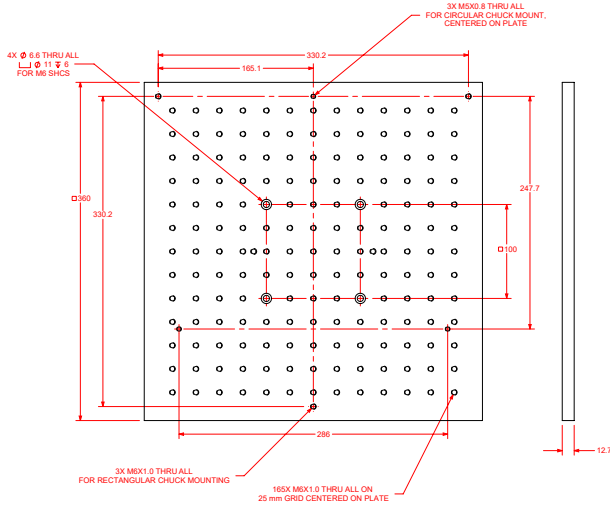
¹ Required for Additional Stages options -AS1-3

² Required for Camera Type -V2/3 options

Fixtures

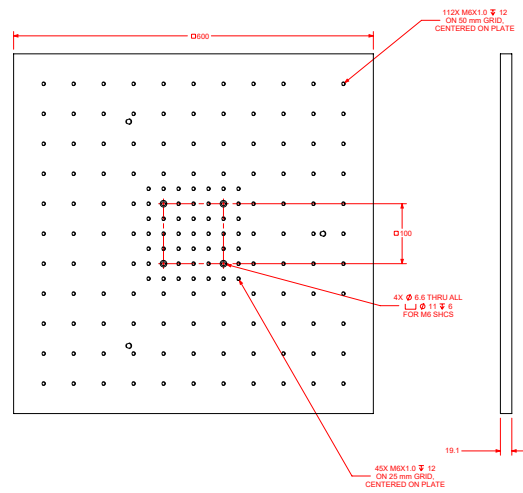
PM-FP-P360

360 mm Square Tooling Plate



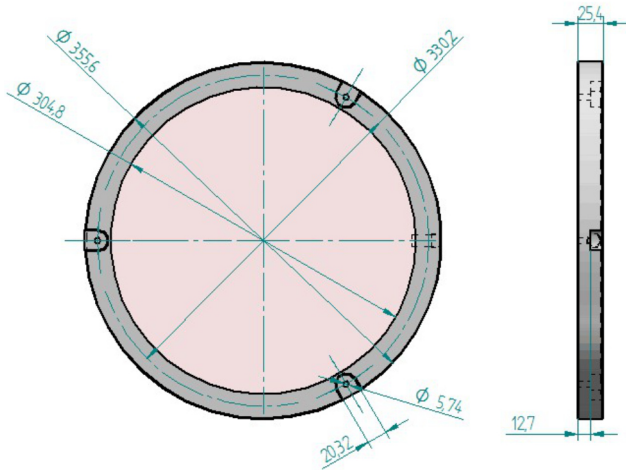
PM-FP-P600

600 mm Square Tooling Plate



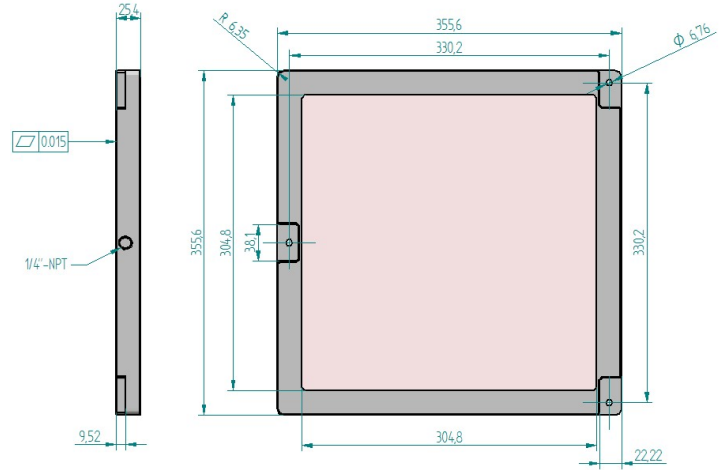
PM-FP-VPR

300 mm Diameter Porous Vacuum Chuck



PM-FP-VPS

300 mm Square Porous Vacuum Chuck



PM-FP-VZR

300 mm Diameter Zone-Selectable Vacuum Chuck

Zones: 25 mm, 100 mm, 200 mm, and 300 mm Diameters

